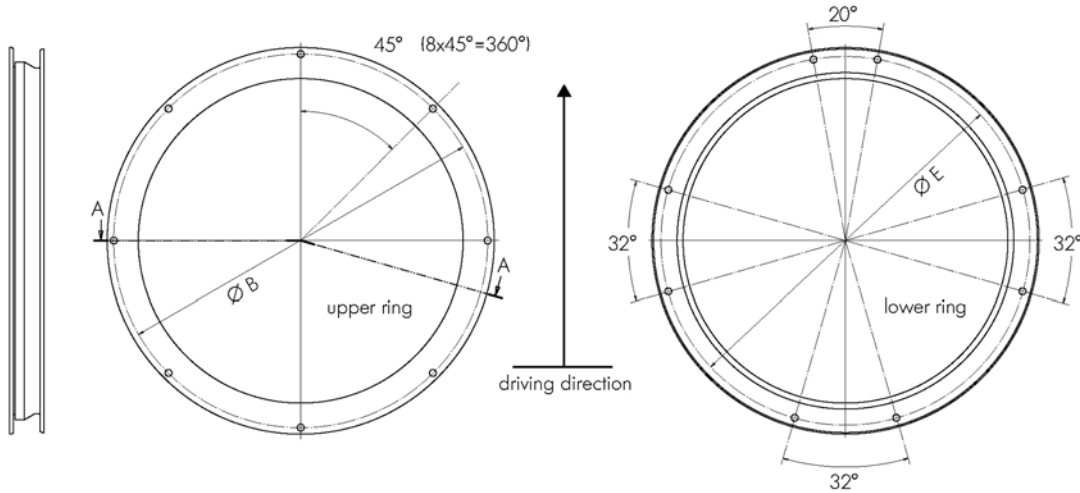
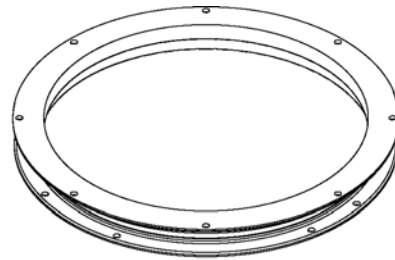
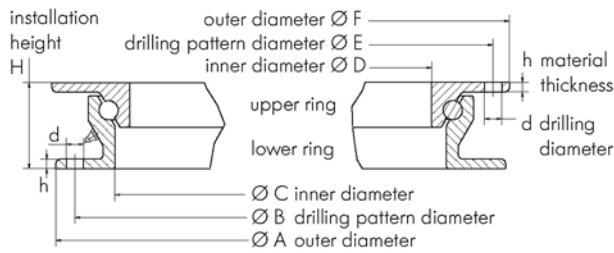


Поворотные круги SAF



Single Row Ball Races STANDARD MAINTENANCE



Type	Model	Max. axial load	A	B	C	D	E	F	d	h	H	Weight	Order no.
		t	mm	mm	mm	mm	mm	mm	mm	mm	mm	kg	
BR-S 8	undrilled	8	1000	960	877	846	974	1008	18	10	90	73	662 106 100
BR-S 10	undrilled	10	1000	960	877	846	974	1008	18	10	90	73	662 106 120
BR-S 10-1	drilled	10	1100	1060	977	946	1074	1108	18	10	90	80	662 106 140
BR-S 12-1	drilled	12	1100	1060	977	946	1074	1108	18	10	90	80	662 106 160
BR-S 13-2	drilled	13	1200	1160	1077	1046	1174	1208	18	10	90	87	662 106 180

- 7 lubrication points with grease nipples
- TÜV approved