



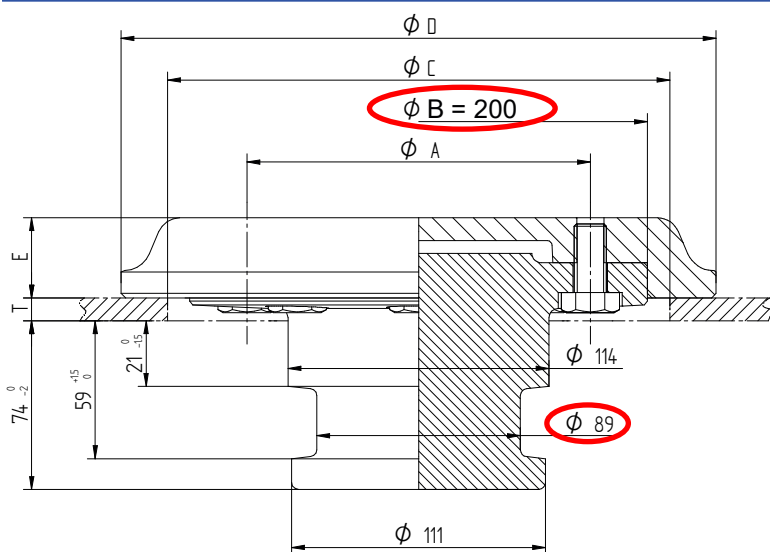
K3V 3,5"

Perni di articolazione 3,5"
Kingpins 3,5"

Dati tecnici - Technical data

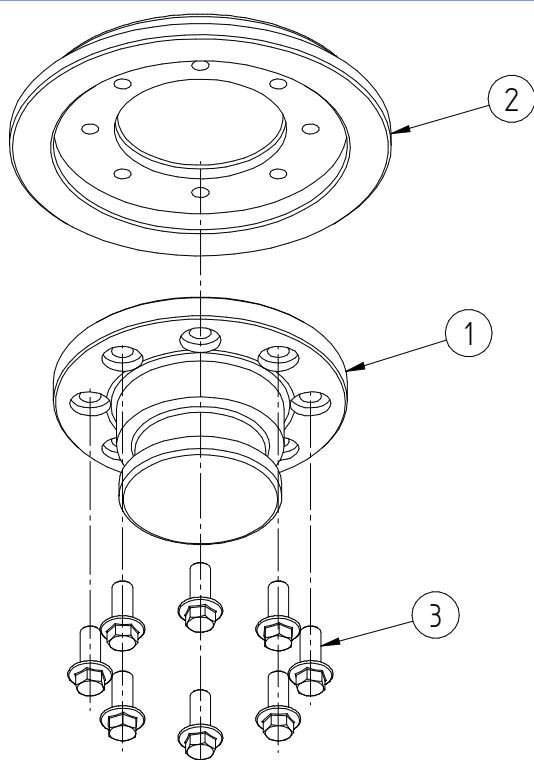
| Codice Part number | T mm | E mm | Valore D D-Value kN | Omologazione Homologation | | |
|-----------------------|---------|------------|---------------------------|------------------------------|--------------|--------------|
| | | | | Classe Class | ECE R55 | Tipo Type |
| K3VS100 | 8 | 35 +2 / -0 | 165 | H50-X | E1 01 - 2371 | 90S15 |
| K3VS200 | 10 | 33 +2 / -0 | | | | |
| K3VS300 | 12 | 33 +2 / -0 | | | | |
| K3VS500 | 16 | 48 | 320 | | E1 01 - 2426 | 90S18 |

Dimensioni principali - Main dimensions



| Codice Part number | Ø A mm | Ø B mm | Ø C mm | Ø D mm |
|-----------------------|-------------|-----------|-----------|-----------|
| K3VS100 | 150 - 8xM14 | 200 | 235 | 260 |
| K3VS200 | | | | |
| K3VS300 | | | | |
| K3VS500 | 180 - 8xM20 | 240 | 270 | 301,5 |

Ricambi - Spare parts



| POS. | | Codice Article number |
|------|-------|--------------------------|
| 1 | 8 mm | RKS0098 |
| | 10 mm | |
| | 12 mm | |
| | 16 mm | RKS0099 |
| 2 | 8 mm | RKS0010 |
| | 10 mm | RKS0020 |
| | 12mm | RKS0030 |
| | 16 mm | RKS0040 |
| 3 | 8 mm | RKS0005 |
| | 10 mm | |
| | 12mm | |
| | 16 mm | RKS0016 |